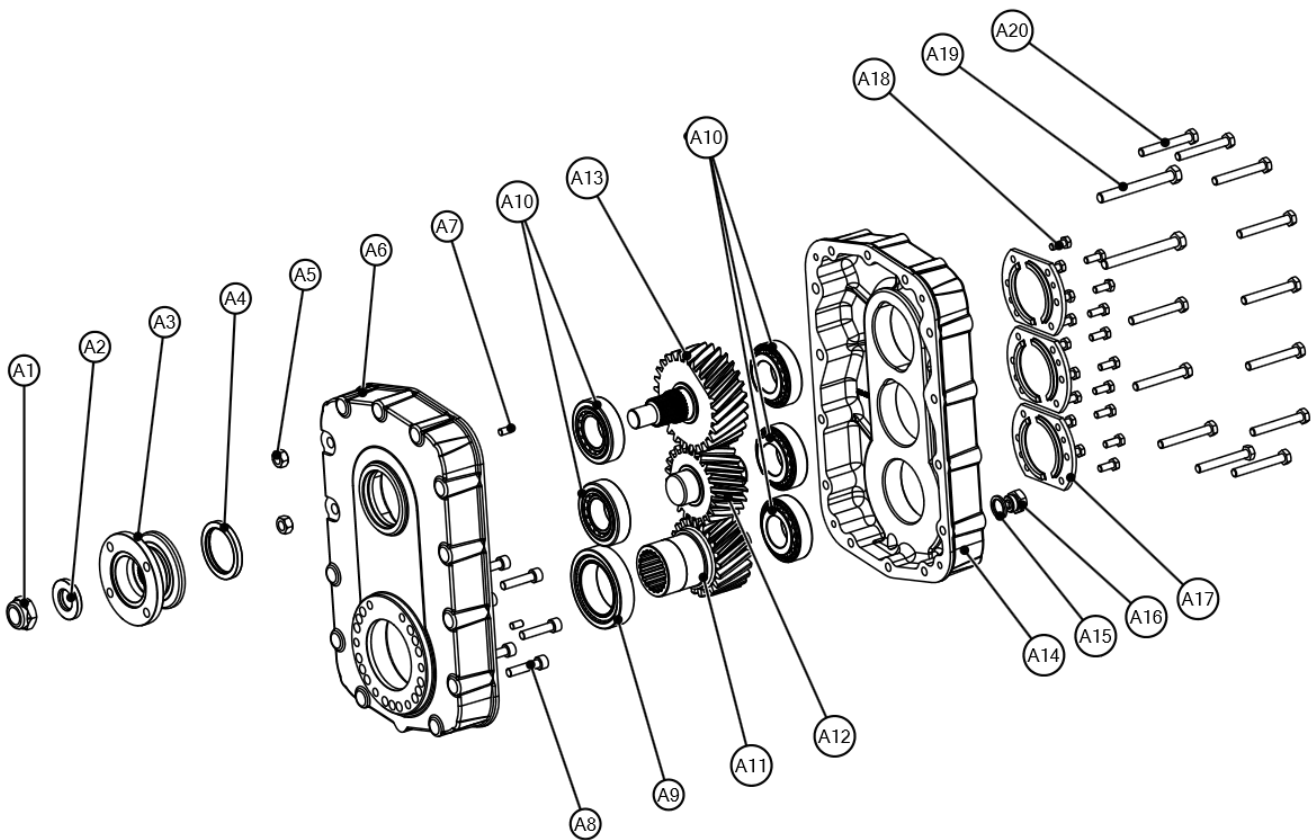


613PB20T071 = 19.7:1 AXLE

Section 'A' – Transfer Case Assembly

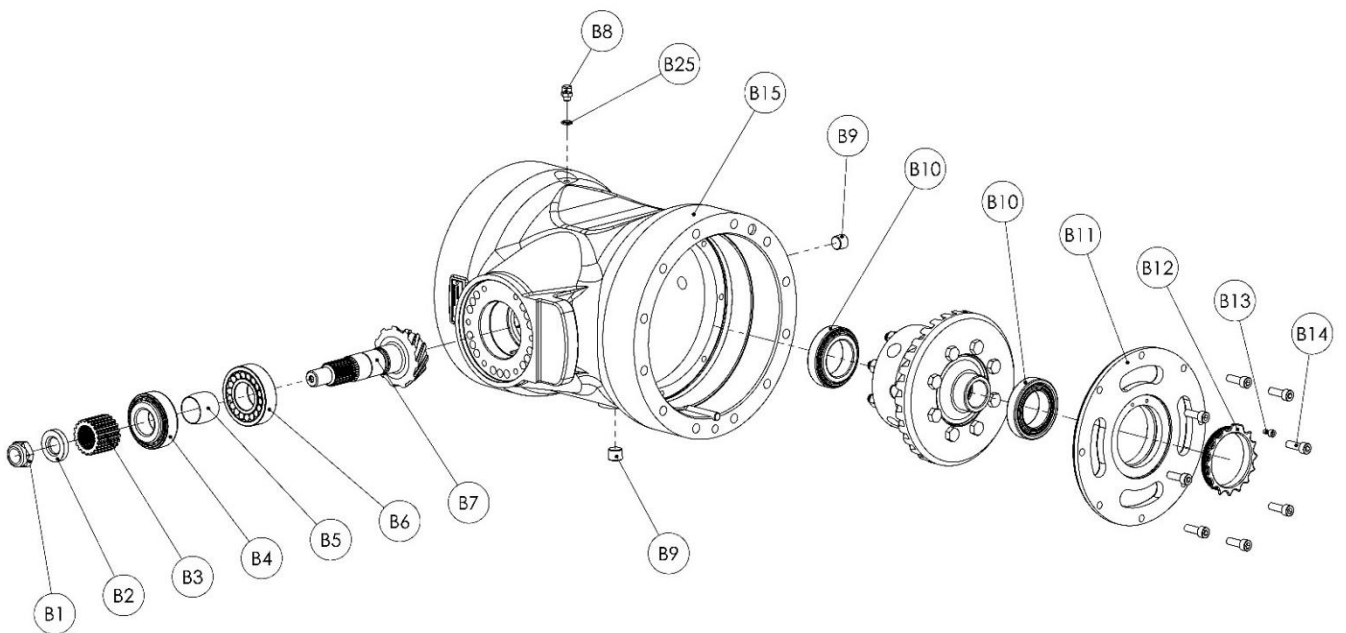
| Item | Part No | Qty | Description |
|------|----------------------|-----|--|
| A1 | 400-2200 | 1 | M24 Nyloc Nut |
| A2 | 613-2191 | 1 | Washer |
| A3 | 613-2180 | 1 | Drive Flange (HS1410) |
| A4** | 0400562V 0400561V | 1 | Oil Seal : with serial no up to V034046 Oil Seal : with serial no after V034046 |
| A5 | 0051201 | 2 | M12 Nut |
| A6 | 613-2300 | 1 | LH Transfer Case |
| A7 | 0210815 | 2 | Dowel |
| A8 | 0081550 | 6 | M10 Cap Bolt |
| A9 | 0540651 | 1 | Taper Roller Bearing |
| A10 | 0540404 | 5 | Taper Roller Bearing |
| A11 | 613-2340 | 1 | Output Gear |
| A12 | 613-2330 | 1 | Idler Gear |
| A13 | 613-2320 | 1 | Input Gear |
| A14 | 613-2310 | 1 | RH Transfer Case |
| A15 | 0201714 | 1 | Bonded Washer |
| A16 | CP1331 | 1 | Magnetic Drain Plug |
| A17 | 613-2360 | 3 | End Cover |
| A18 | 0040807P | 18 | M8 Bolt |
| A19 | 0041224 | 2 | M12 Bolt |
| A20 | 0041018 | 12 | M10 Bolt |

**** - check axle serial number for correct oil seal****NOTE: Shims not shown.**

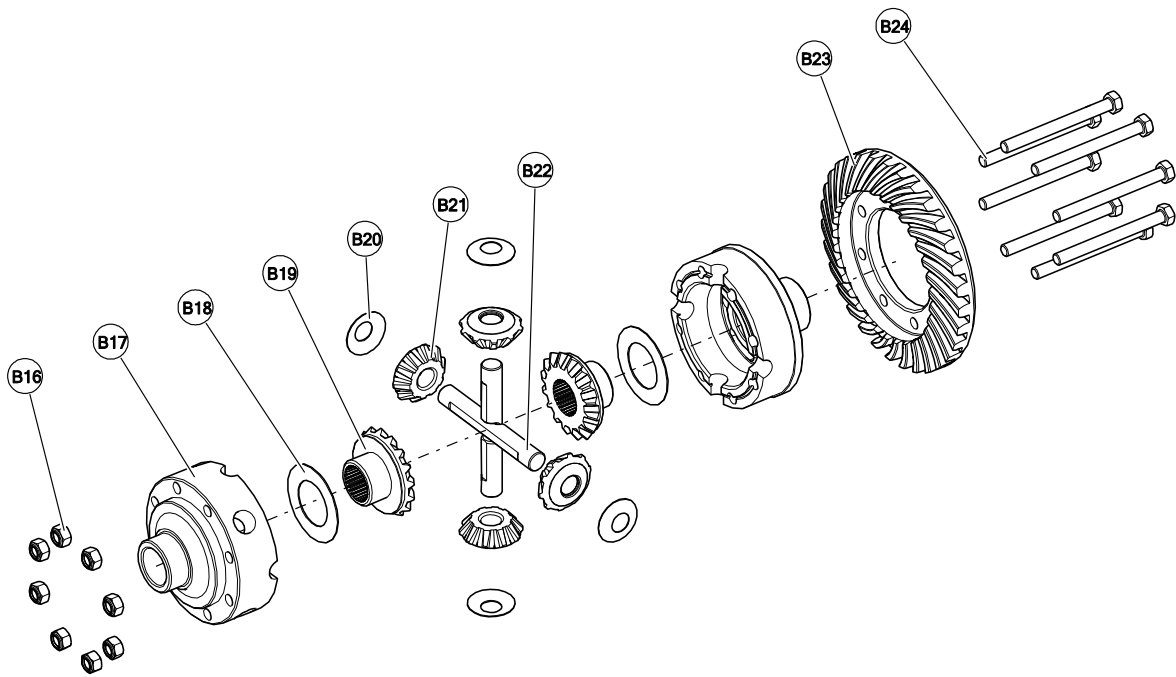


Section 'B' – Main Case and Differential Assembly

| Item | Part No | Qty | Description |
|------|------------------------|-----|----------------------------|
| B1 | 400-2200 | 1 | M24 Nyloc Nut |
| B2 | 613-2190 | 1 | Washer |
| B3 | 613-2920 | 1 | Spline Adaptor |
| B4 | 400-1050 | 1 | Collapsible Spacer |
| B5 | 055CU024H | 1 | Taper Roller Bearing |
| B6 | 055C026U057 | 1 | Taper Roller Bearing |
| B7 | 916-9820 | 1 | Crown Wheel & Pinion Set |
| B8 | CP1498S/A | 1 | Breather |
| B9 | 0150250 | 2 | Drain Plug & level plug |
| B10 | 0540552H | 2 | Taper Roller Bearing |
| B11 | 612-0731 | 1 | Diff. Bearing Housing |
| B12 | 915-2151 | 2 | Diff. Bearing Adjuster Nut |
| B13 | 0081312P | 2 | M6 Cap Bolt |
| B14 | 0081530 | 8 | M10 Cap Bolt |
| B15 | 613-0010 | 1 | Main Case |
| B25 | Part of B8 - CP1498S/A | n/a | Sealing Washer |



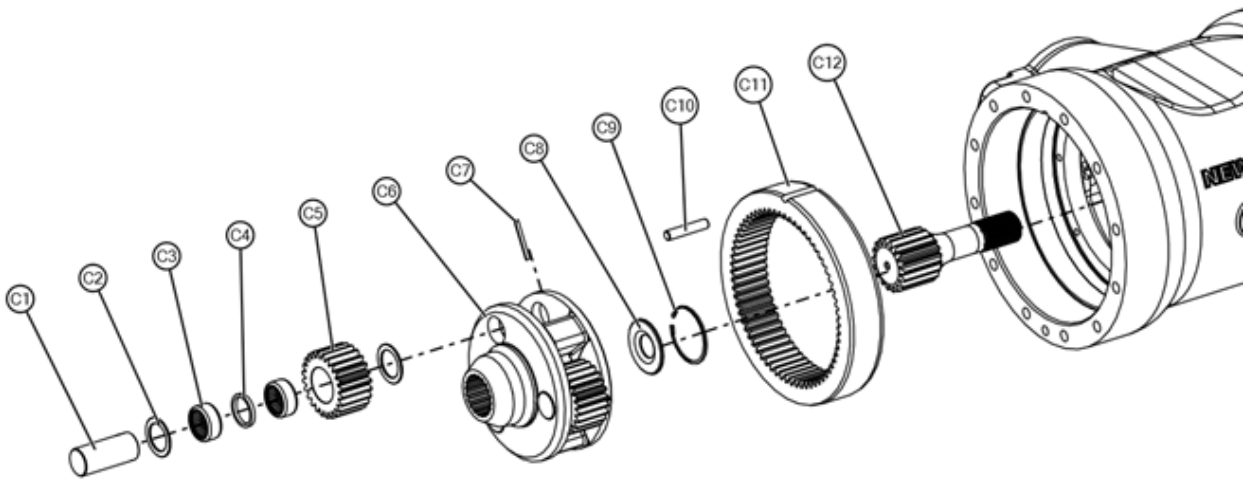
| Item | Part No | Qty | Description |
|------|-----------|-----|--|
| B16 | 007-0360 | 8 | M12 Nyloc Nut |
| B17 | 612-9520 | 1 | Differential Case |
| B18 | 915-2110 | 2 | Thrust Washer |
| B19 | 915-2090 | 2 | Differential Wheel |
| B20 | 915-2120 | 4 | Thrust Washer |
| B21 | 915-2100 | 4 | Differential Pinion |
| B22 | 915-2130 | 2 | Spider |
| B23 | 916-9820 | 1 | Crown Wheel & Pinion Set (Pinion not shown) |
| B24 | 0041225HT | 8 | M12 Bolt |



Section 'C' – Planet Carrier Assembly

| Item | Part No | Qty | Description |
|------|----------|-----|-----------------------|
| C1 | 612-0250 | 3 | Planet Pin |
| C2 | 915-0270 | 6 | Washer Thrust |
| C3 | 0564502 | 6 | Needle Roller Bearing |
| C4 | 612-2560 | 3 | Spacer |
| C5 | 612-0080 | 3 | Planet Gear |
| C6 | 612-0060 | 1 | Planet Carrier |
| C7 | 010-0030 | 3 | Spring Pin |
| C8 | 400-1320 | 1 | Spacer |
| C9 | 003-0120 | 1 | Circlip |
| C10 | 0211620 | 1 | Dowel |
| C11 | 612-0070 | 1 | Annulus |
| C12 | 612-0091 | 1 | Sun Gear |

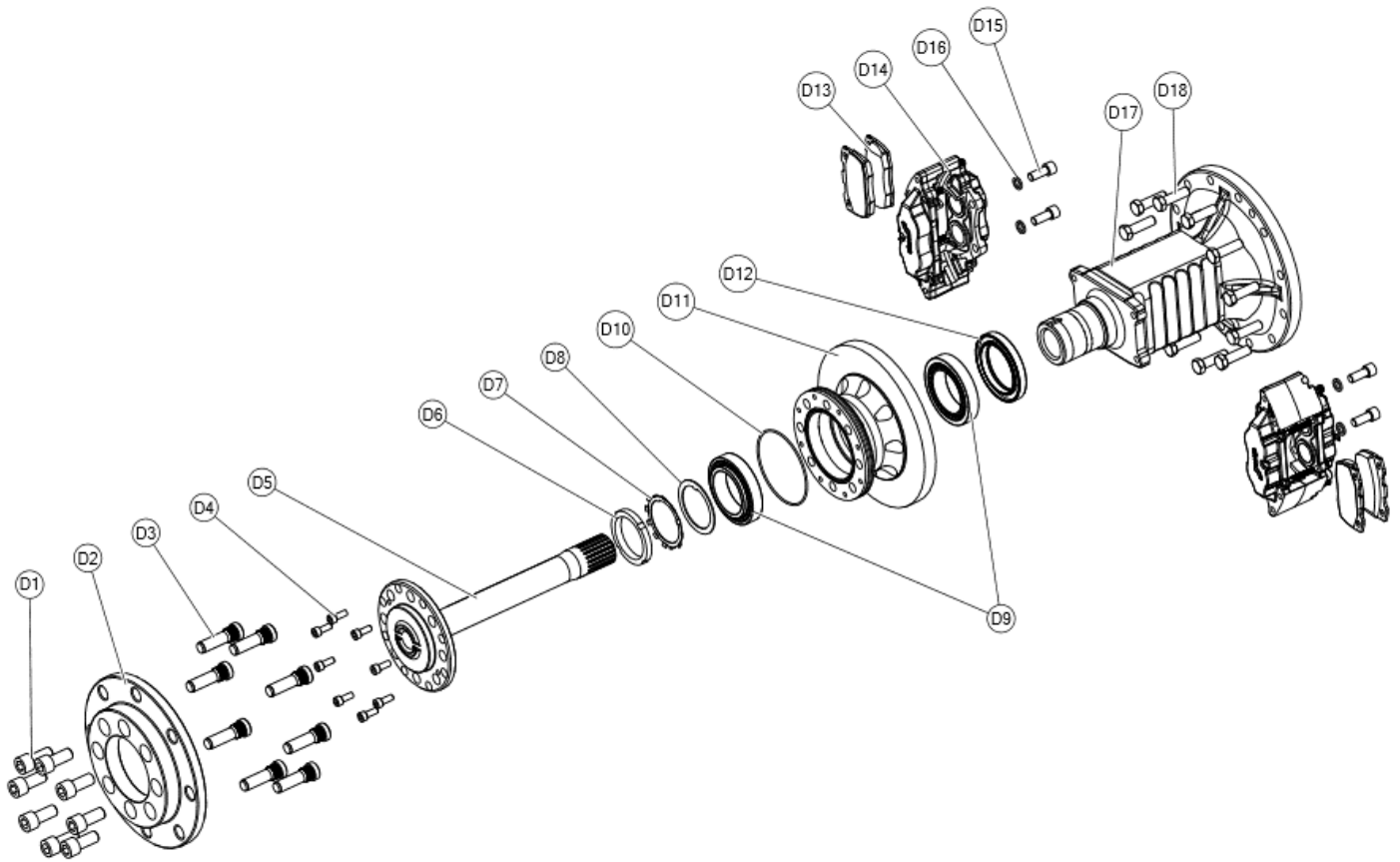
NOTE: Quantities stated per side (2 Assemblies per Axle)



Section 'D' – Axle Arm, Hub and Brake Assemblies

| Item | Part No | Qty | Description |
|------|--|-----|---------------------------------|
| D1 | 0081845 | 8 | M20 Cap Bolt |
| D2 | 612-0050 | 1 | Hub Adaptor |
| D3 | 613-0450 | 8 | M20 Wheel Stud |
| D4 | 0081525P | 8 | M10 Cap Bolt |
| D5 | 613-0100 | 1 | Axle Shaft |
| D6 | 010N801 | 1 | Lock Nut |
| D7 | 010W801 | 1 | Lock Washer |
| D8 | 615-1440 | 1 | Spacer |
| D9 | 0540803 | 2 | Taper Roller Bearing |
| D10 | 0431343V | 1 | O-Ring |
| D11 | 613-0040 | 1 | Wheel Hub |
| D12 | 613-2850 | 1 | Hub Seal |
| D13 | 612-2520-KIT | 4 | Brake Pads |
| | Order 613-2520-KIT (8 Brake Pads) and replace all pads on the axle | | |
| D14 | 614-2501 | 2 | Brake Caliper (includes D13) |
| D15 | 00816A40MZP | 4 | M14 Cap Bolt |
| D16 | 0191314 | 8 | Washer |
| D17 | 613-0020 | 1 | Axle Arm |
| D18 | 0041614HTP | 12 | M16 Bolt |
| D19 | 007-0410 | 8 | M20 x 1.5 Wheel Nut (NOT SHOWN) |

NOTE: Quantities stated per side (2 Assemblies per Axle)



Section 'E' – Park Brake Assembly

| Item | Part No | Qty | Description |
|------|----------|-----|---------------------------------|
| E1 | 613-2500 | 1 | Park Brake Assembly |
| E2 | 613-2181 | 1 | Park Brake Disc Mounting Flange |
| A1 | 400-2200 | 1 | Nut M24 x 2.00 |
| A2 | 613-2191 | 1 | Washer |

NOTE: This only applies to 613PB specification axles.

